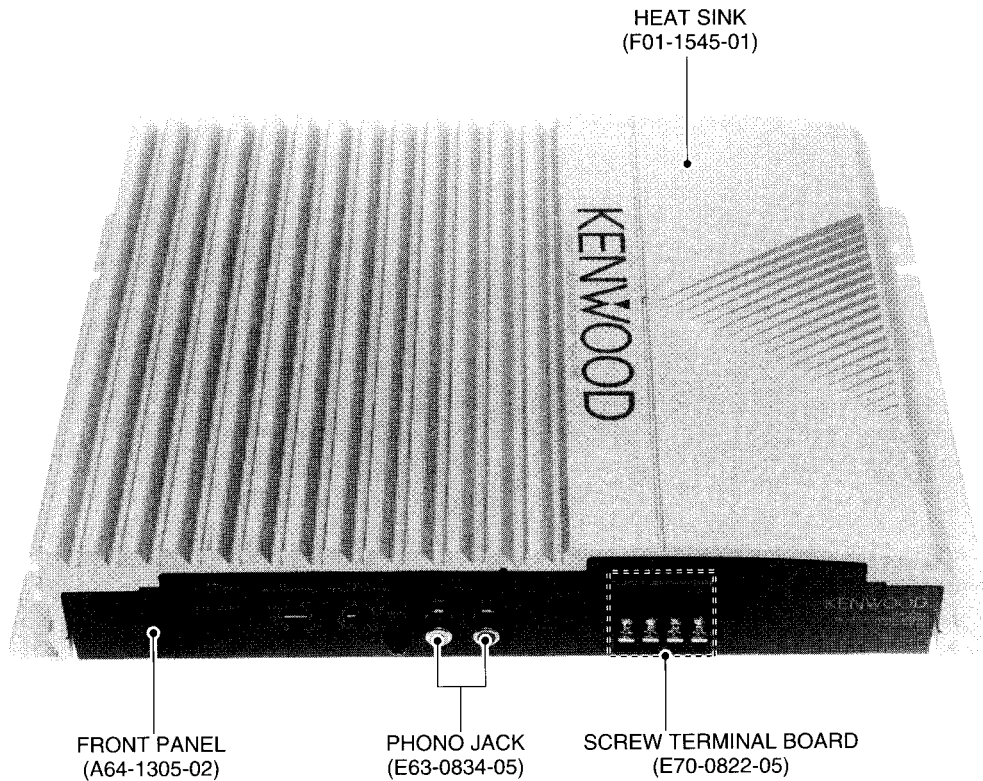


KAC-816

SERVICE MANUAL



SCREW SET (N99-1587-05)

TERMINAL COVER ASSY (W01-0747-05)

ROUND TERMINAL SET (W01-0746-05)

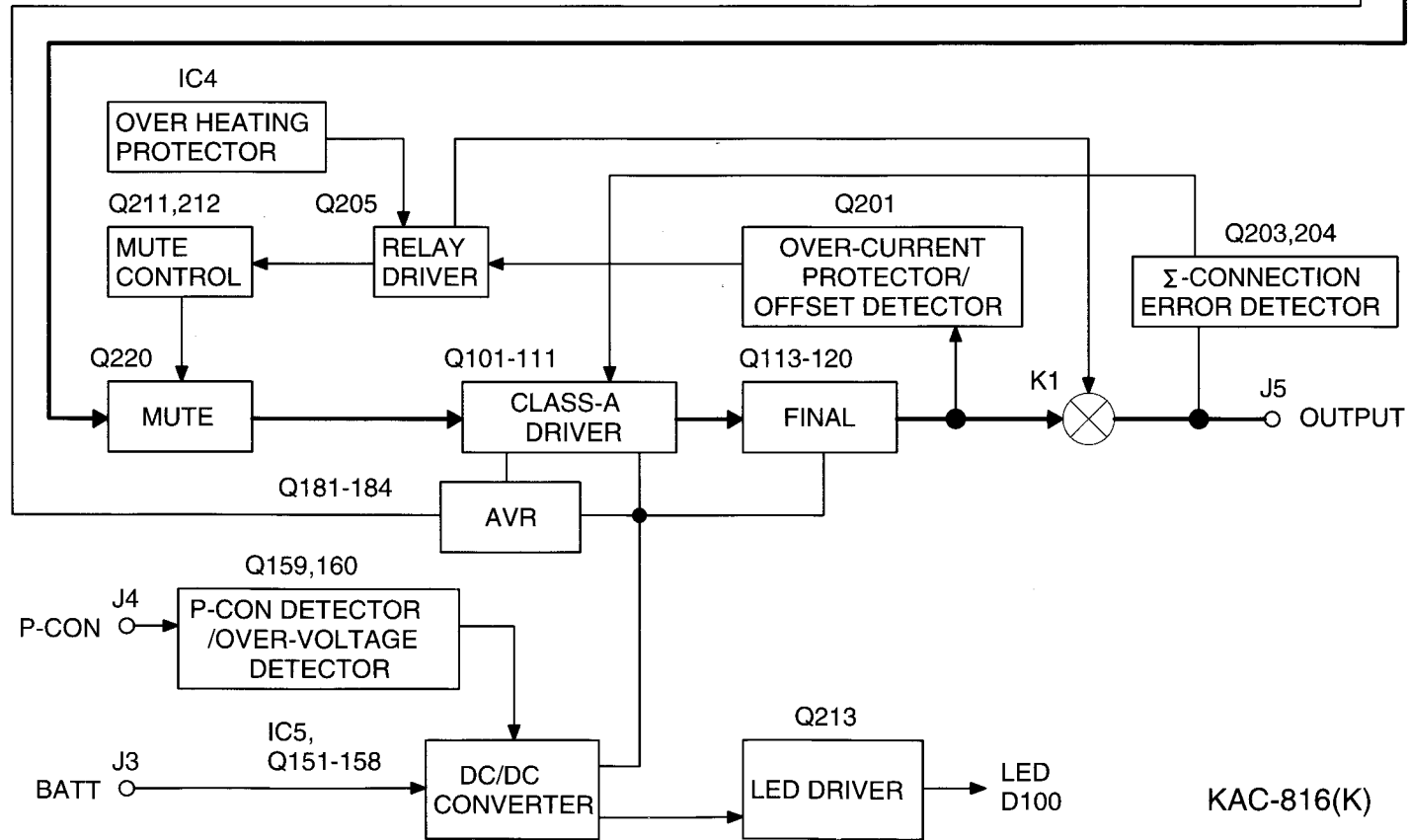
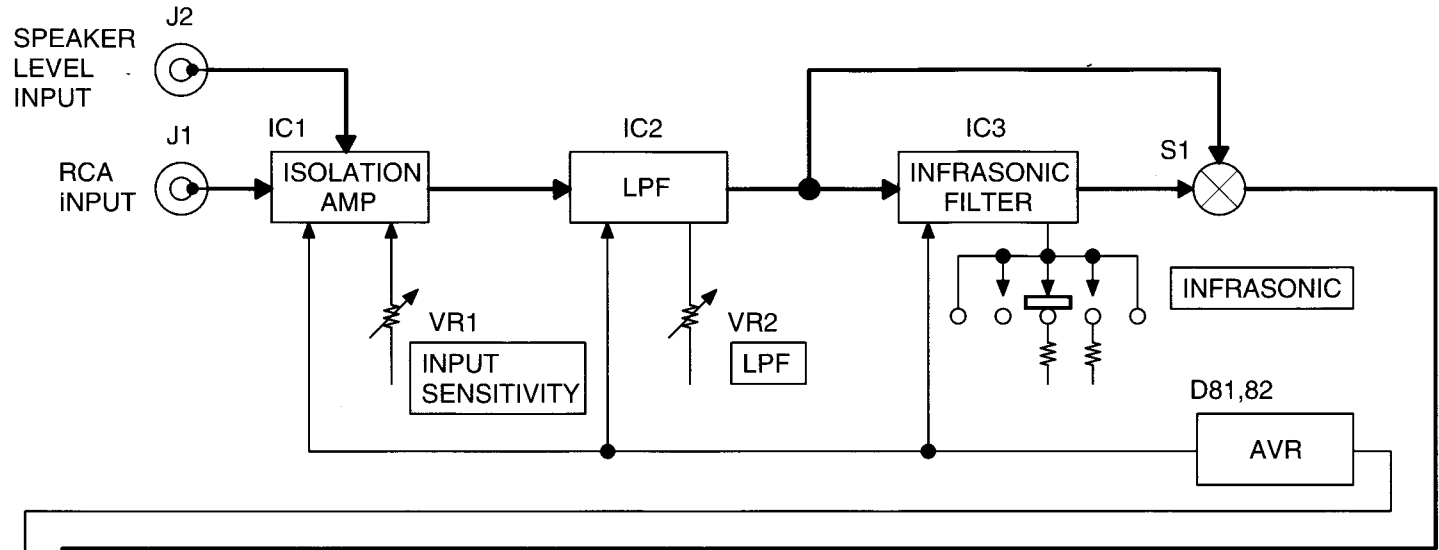
DC CORD ASSY (E30-4323-15)

AUDIO CORD ASSY (E30-4067-05)

— E and M type only —

— M type only —

AUDIO UNIT (X09-5230-10)



KAC-816(K)

KAC-816

BLOCK DIAGRAM

ADJUSTMENT

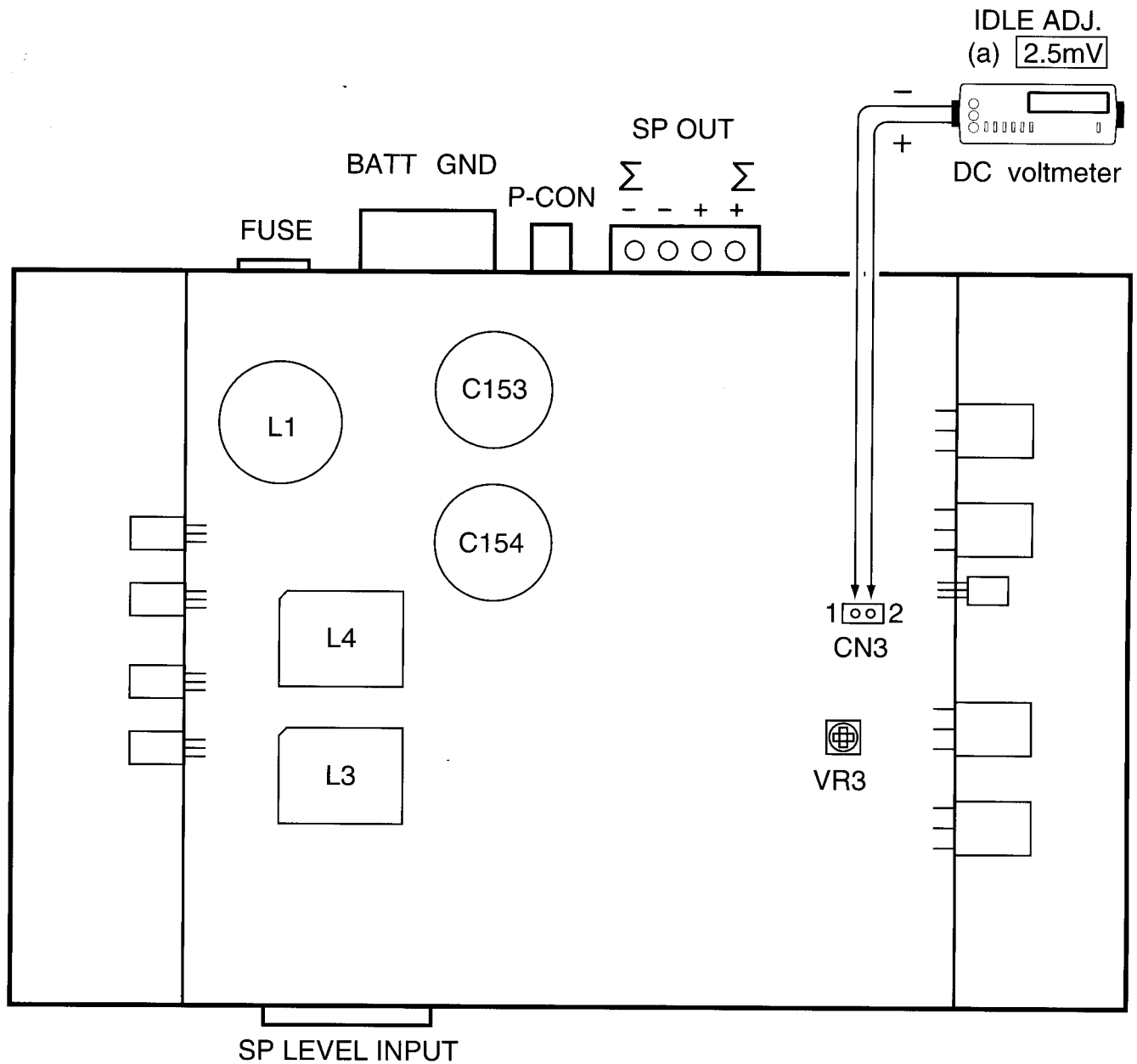
No.	Item	Input Setting	Output Setting	Amp. Setting	Adjustment Point	Adjustment Method	Fig.
Connect the cassette receiver, etc.							
1	IDLE CURRENT	-	Connect a DC voltmeter to CN3	VOLUME : 0	VR3	2.5mV	(a)

EINSTELLUNGEN

Nr.	Gegenstand	Eingangseinstellung	Ausgangseinstellung	Verstaerkereinstellung	Einstellpunkt	Einstellmethode	Abb.
Das Kassettengerat, den Empfaenger usw. anschliessen.							
1	IDLE CURRENT	-	Ein Gleichstrom-Voltmeter zu CN3	VOLUM : 0	VR3	2.5mV	(a)

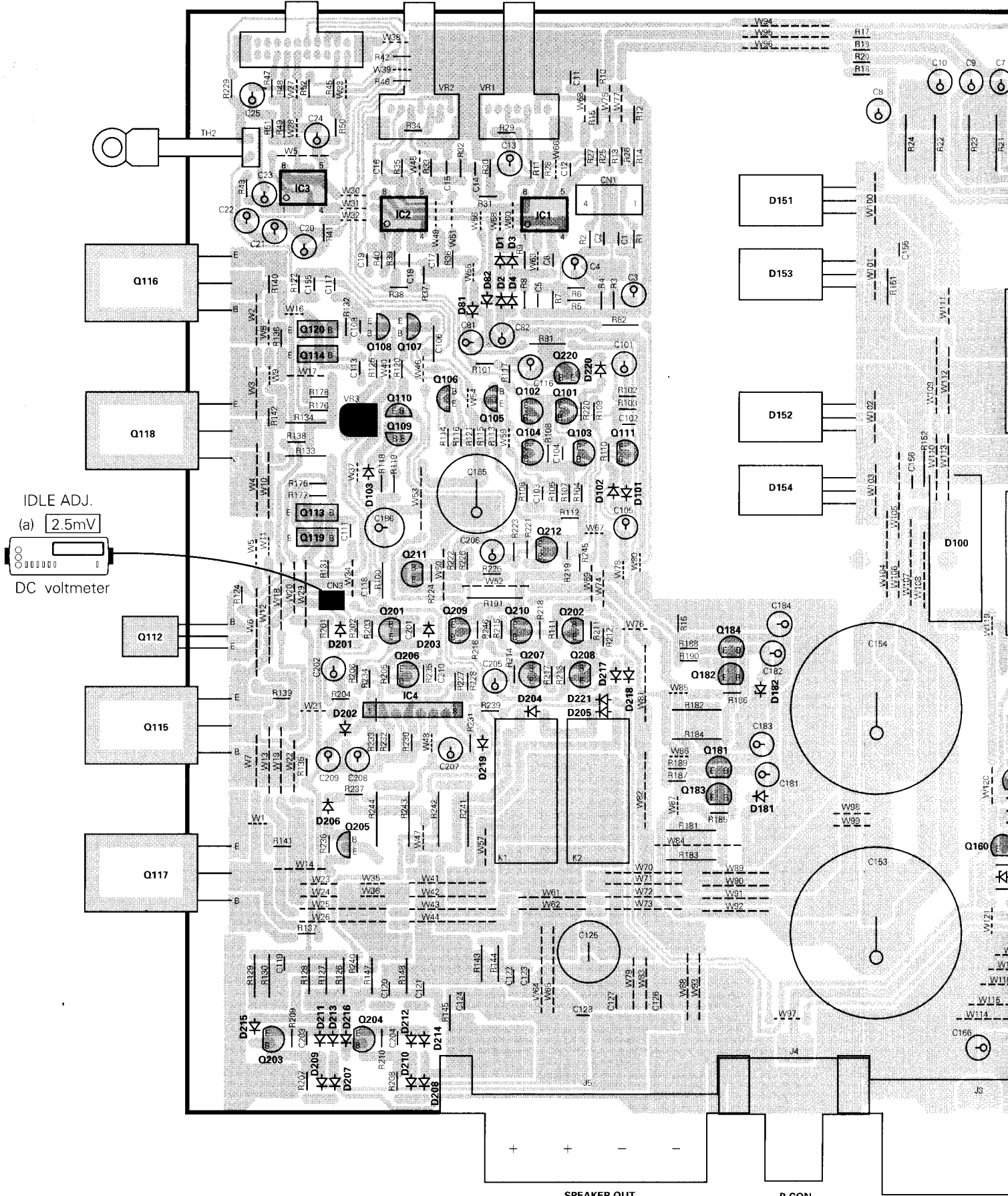
KAC-816

ADJUSTMENT POINT VIEW



PC BOARD (Component side view)

X09-5230-10 A/3 (J74-0700-01)

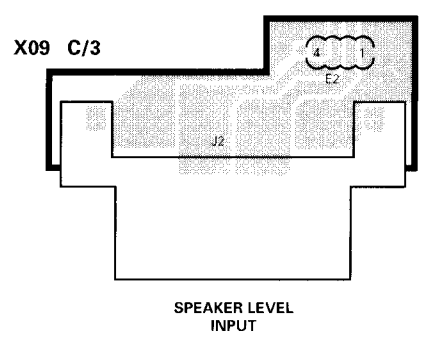
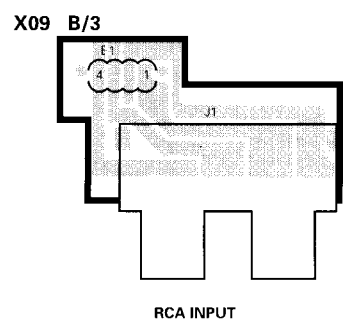
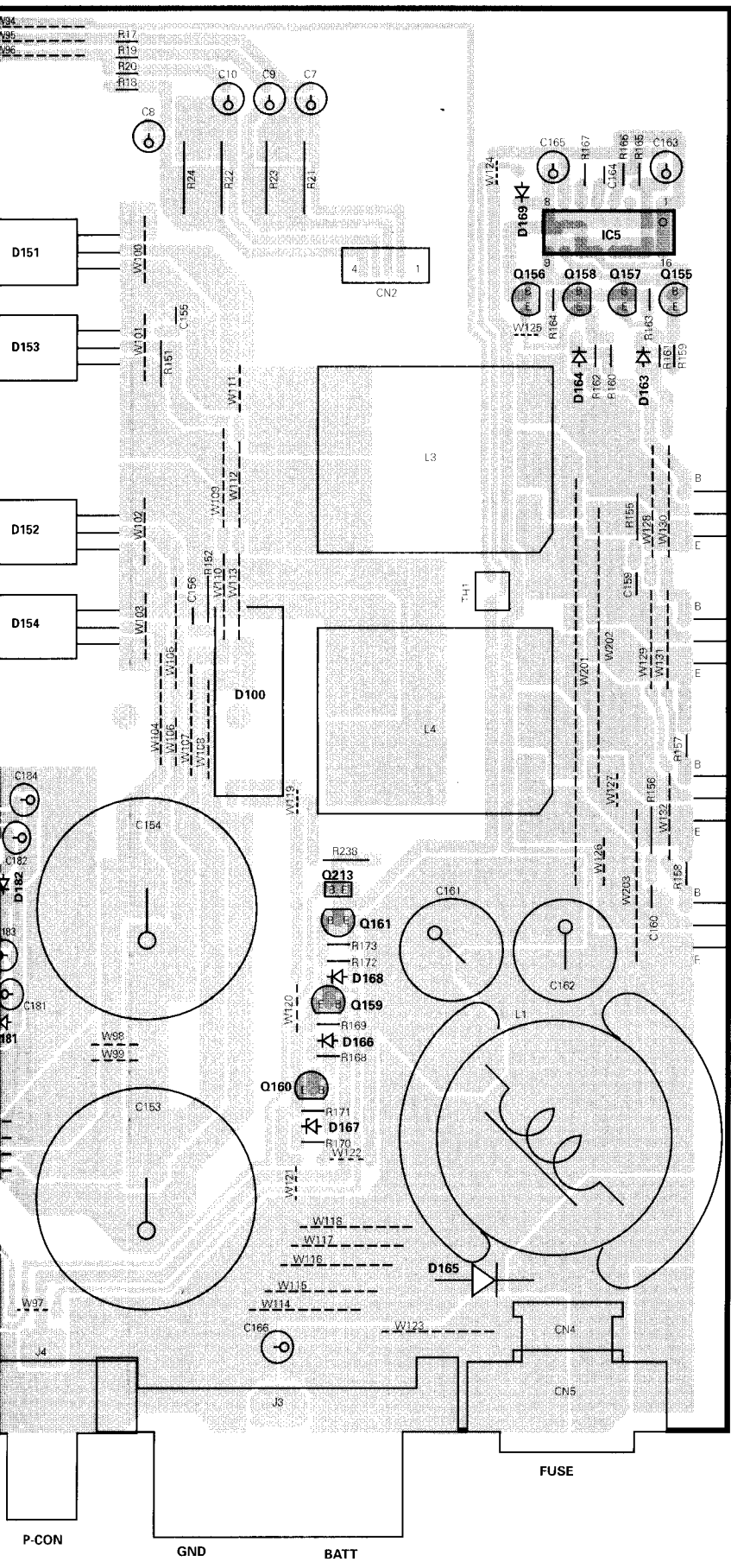


IDLE ADJ.
 (a) 2.5mV
 DC voltmeter

SPEAKER OUT

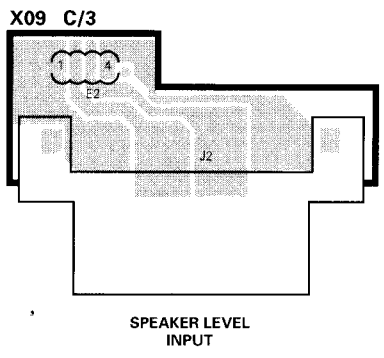
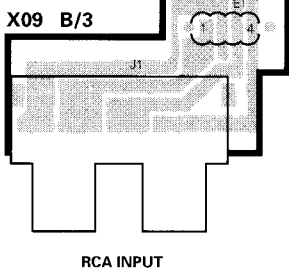
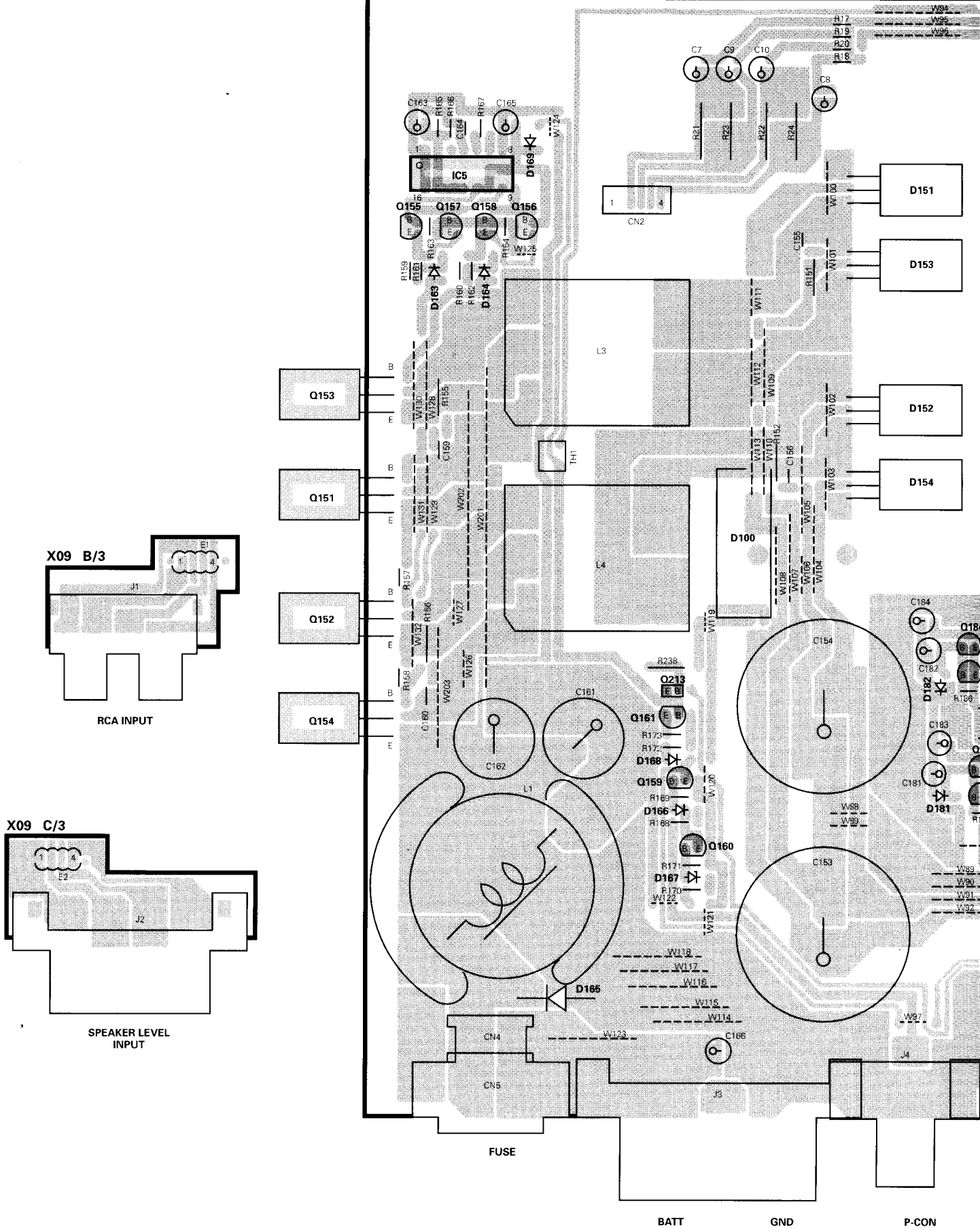
P-CON

GND

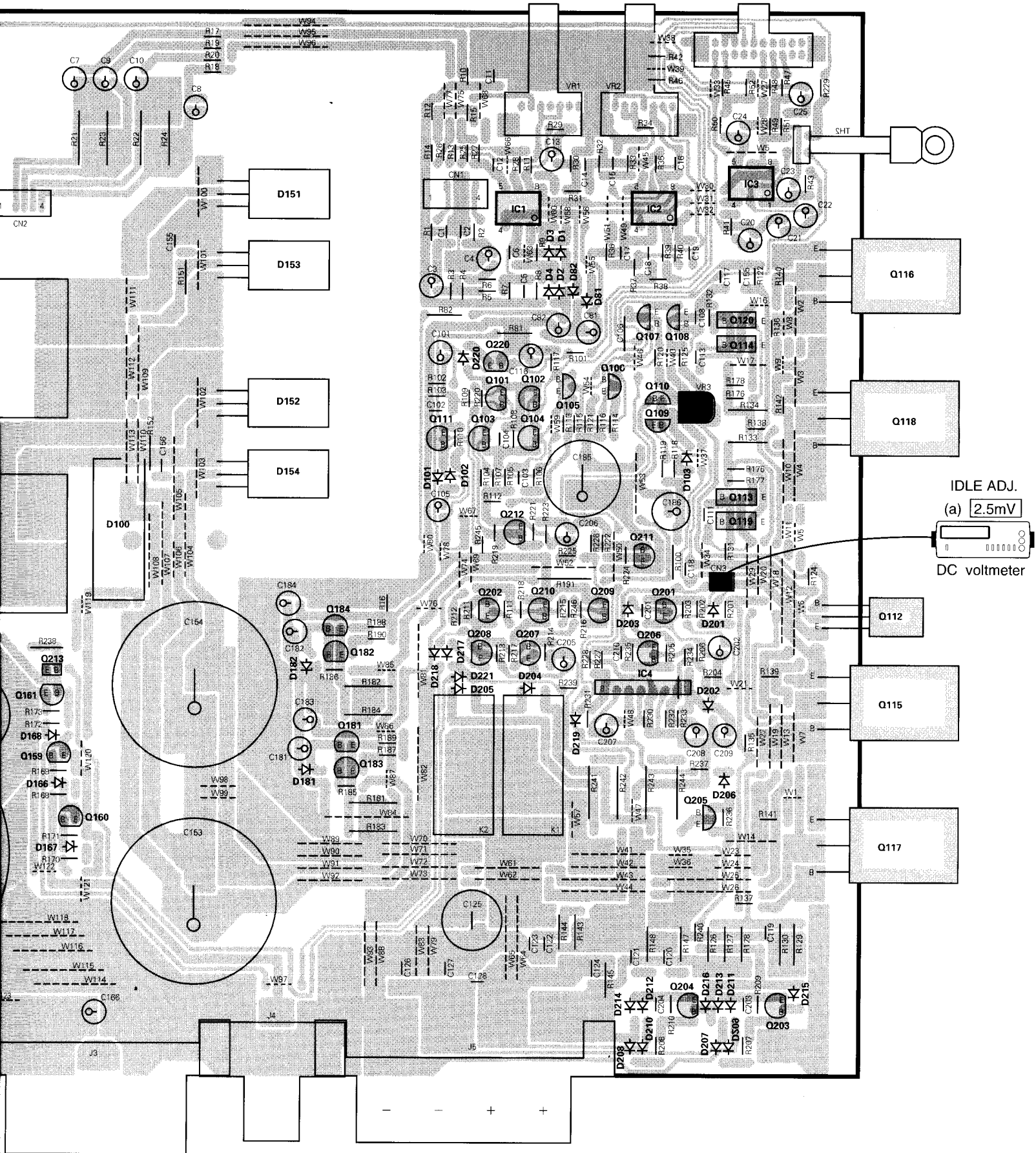


PC BOARD (Foil side view)

X09-5230-10 A/3 (J74-0700-01)



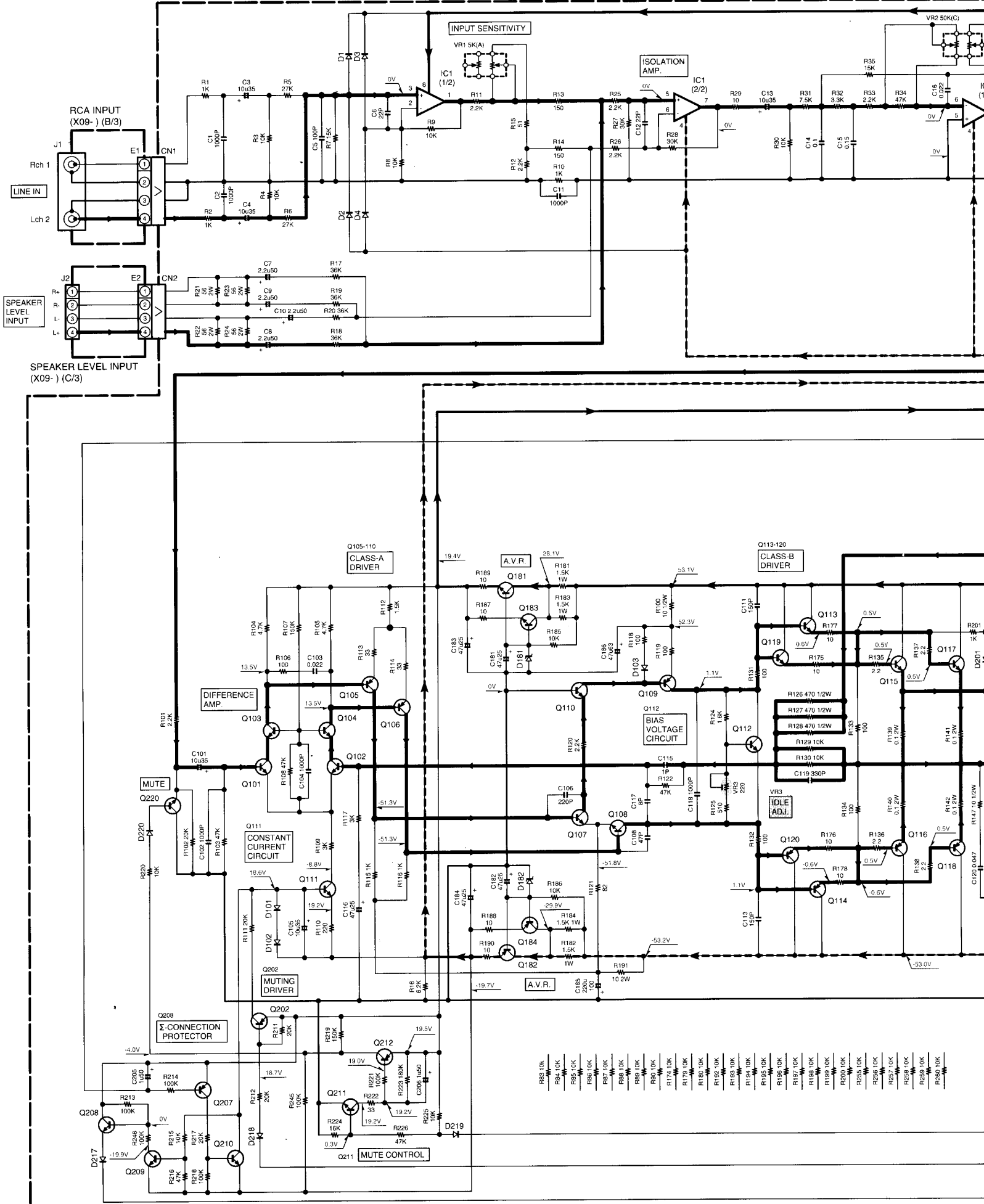
Refer to the schematic diagram for the values of resistors and capacitors.

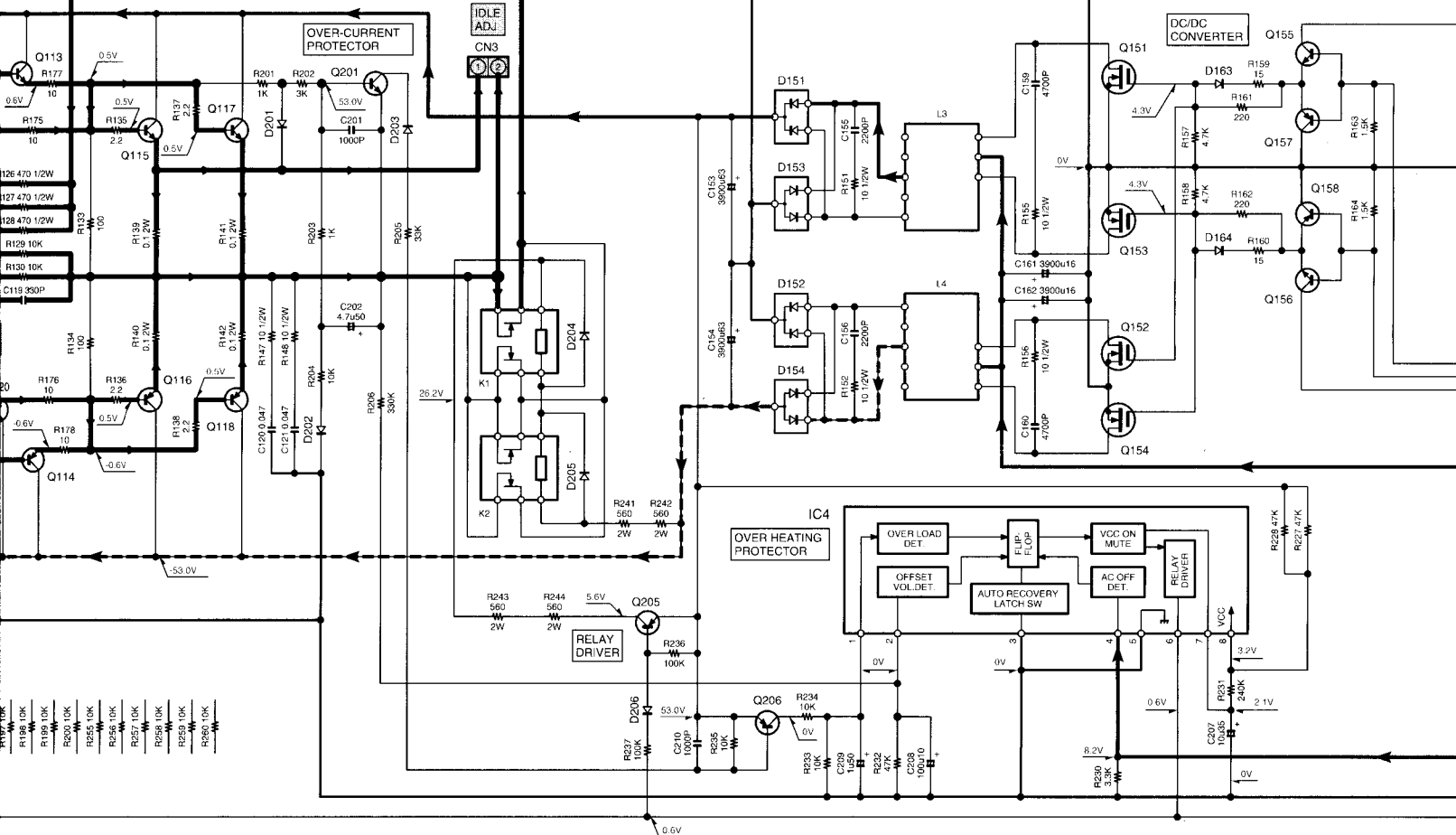
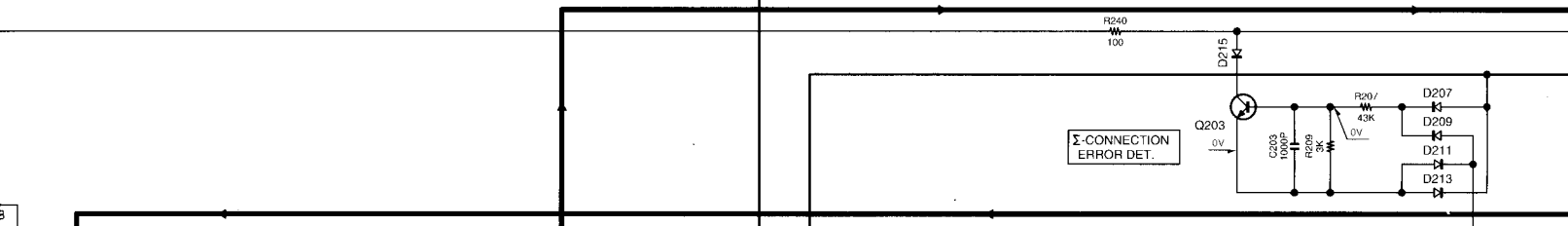
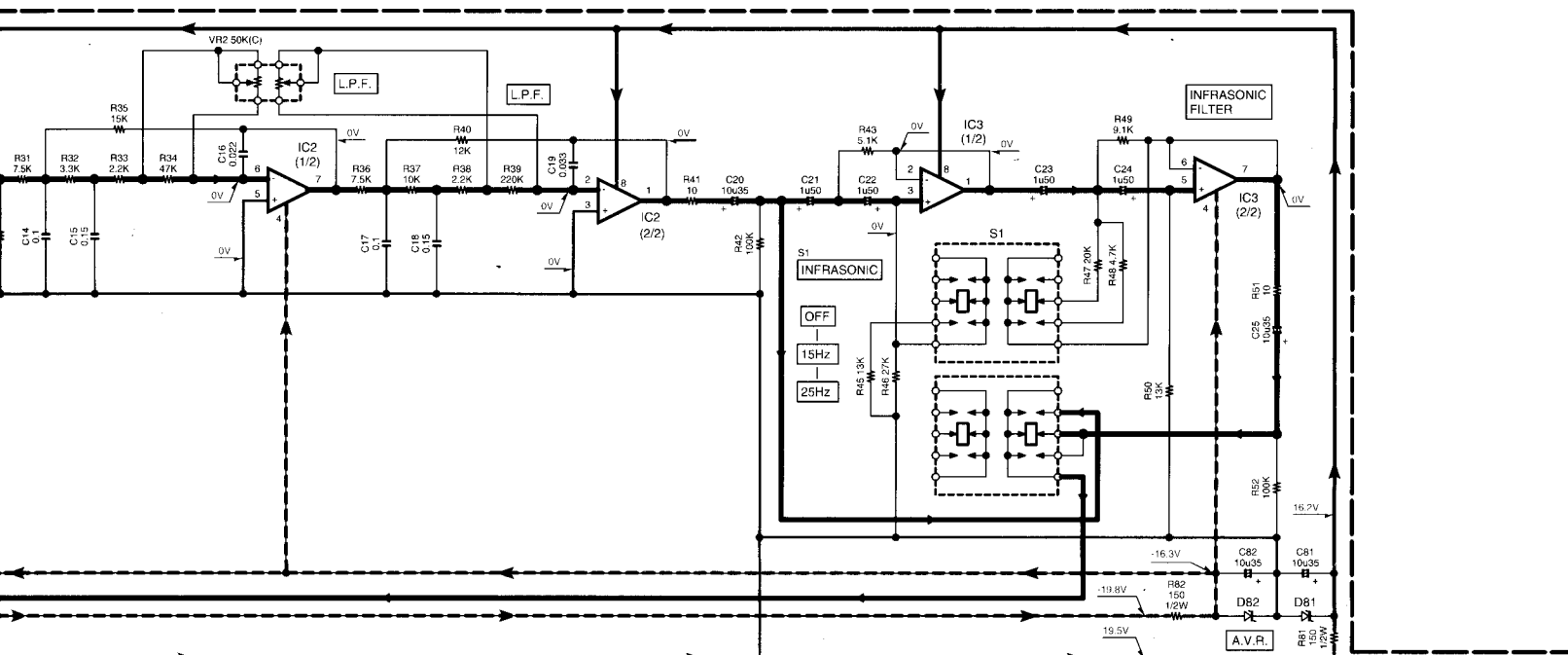


BATT GND P-CON

SPEAKER OUT

AUDIO UNIT (X09-5230-10)





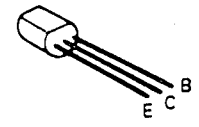
- R198 10K
- R199 10K
- R200 10K
- R201 10K
- R202 10K
- R203 10K
- R204 10K
- R205 10K
- R206 10K
- R207 10K
- R208 10K
- R209 10K
- R210 10K
- R211 10K
- R212 10K
- R213 10K
- R214 10K
- R215 10K
- R216 10K
- R217 10K
- R218 10K
- R219 10K
- R220 10K
- R221 10K
- R222 10K
- R223 10K
- R224 10K
- R225 10K
- R226 10K
- R227 10K
- R228 10K
- R229 10K
- R230 10K
- R231 10K
- R232 10K
- R233 10K
- R234 10K
- R235 10K
- R236 10K
- R237 10K
- R238 10K
- R239 10K
- R240 10K
- R241 10K
- R242 10K
- R243 10K
- R244 10K
- R245 10K
- R246 10K
- R247 10K
- R248 10K
- R249 10K
- R250 10K
- R251 10K
- R252 10K
- R253 10K
- R254 10K
- R255 10K
- R256 10K
- R257 10K
- R258 10K
- R259 10K
- R260 10K
- R261 10K
- R262 10K
- R263 10K
- R264 10K
- R265 10K
- R266 10K
- R267 10K
- R268 10K
- R269 10K
- R270 10K
- R271 10K
- R272 10K
- R273 10K
- R274 10K
- R275 10K
- R276 10K
- R277 10K
- R278 10K
- R279 10K
- R280 10K
- R281 10K
- R282 10K
- R283 10K
- R284 10K
- R285 10K
- R286 10K
- R287 10K
- R288 10K
- R289 10K
- R290 10K
- R291 10K
- R292 10K
- R293 10K
- R294 10K
- R295 10K
- R296 10K
- R297 10K
- R298 10K
- R299 10K
- R300 10K

CAUTION: For continued safety, replace safety critical components only with manufacturer's recommended parts (refer to parts list). Δ indicates safety critical components. For continued protection against risk of fire, replace only with same type and rating fuse(s). To reduce the risk of electric shock, leakage-current or resistance measurements shall be carried out (exposed parts are acceptably insulated from the supply circuit) before the appliance is returned to the customer.

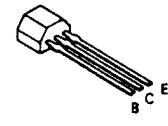
IC1	: NJM5532D		
IC2,3	: NJM4565D		
IC4	: UPC1237HA		
IC5	: UPC494C		
Q101-104,111,155,156, 159,160,208-211,220	: 2SC945(A)(Q,P)		
Q105,106,109,205	: 2SA1123(Q,R)		
Q107,108,110	: 2SC2631(Q,R)		
Q112,113,119	: 2SC2590(Q,R)		
Q114,120	: 2SA1110		
Q115,117	: 2SC4388LB*5		
Q116,118	: 2SA1673LB*5		
Q151-154	: MTAJ50N05HDLFK	D1-4,101-103,163, 164,168,169,201-221	: 1SS133 : RD16JS(B2)
Q157,158,202,207,212	: 2SA733(A)(Q,P)	D81,82,167	: B30-1460-05
Q161,182,184	: 2SA817A	D100	: FML22S*A
Q181,183	: 2SC1627A	D151,152	: FML22R*A
Q201,203,204	: 2SC1845(F,E)	D165	: IN5406-M
Q206	: 2SA992(F,E)	D166	: RD7.5JS(B)
Q213	: DTA124ESA	D181,182	: RD20JS(B)

The DC voltage is an actual reading measured with a high impedance type voltmeter with no signal input. The measurement value may vary depending on the measuring instruments used or on the product.

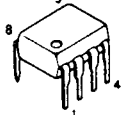
- 2SA1123
- 2SA733(A)
- 2SA817A
- 2SA992
- 2SC1627A
- 2SC1845
- 2SC2631
- 2SC945(A)



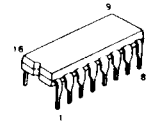
DTA124ESA



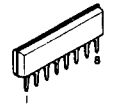
NJM4565D
NJM5532D



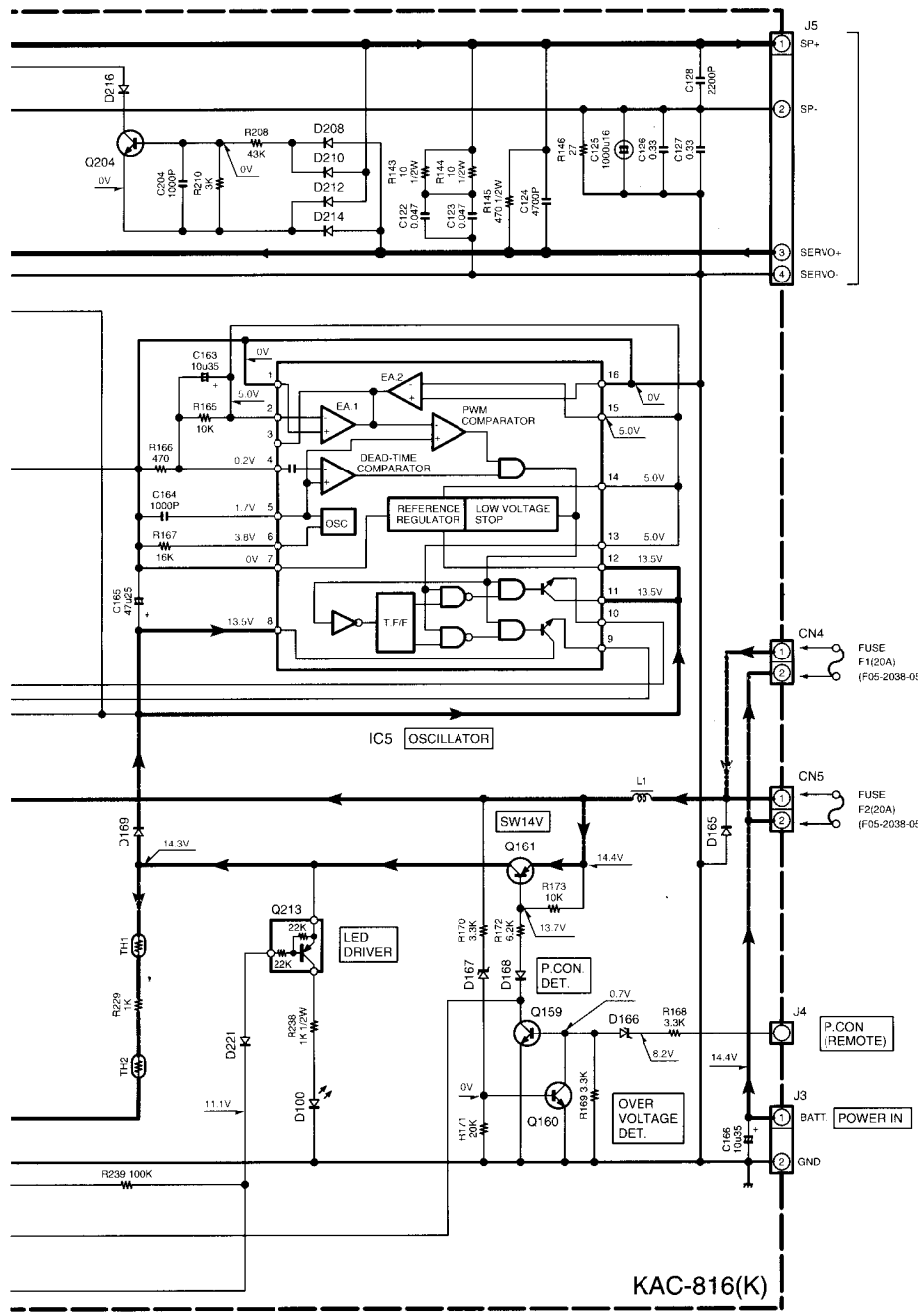
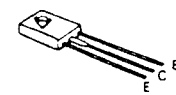
UPC494C



UPC1237HA



2SA1110
2SC2590

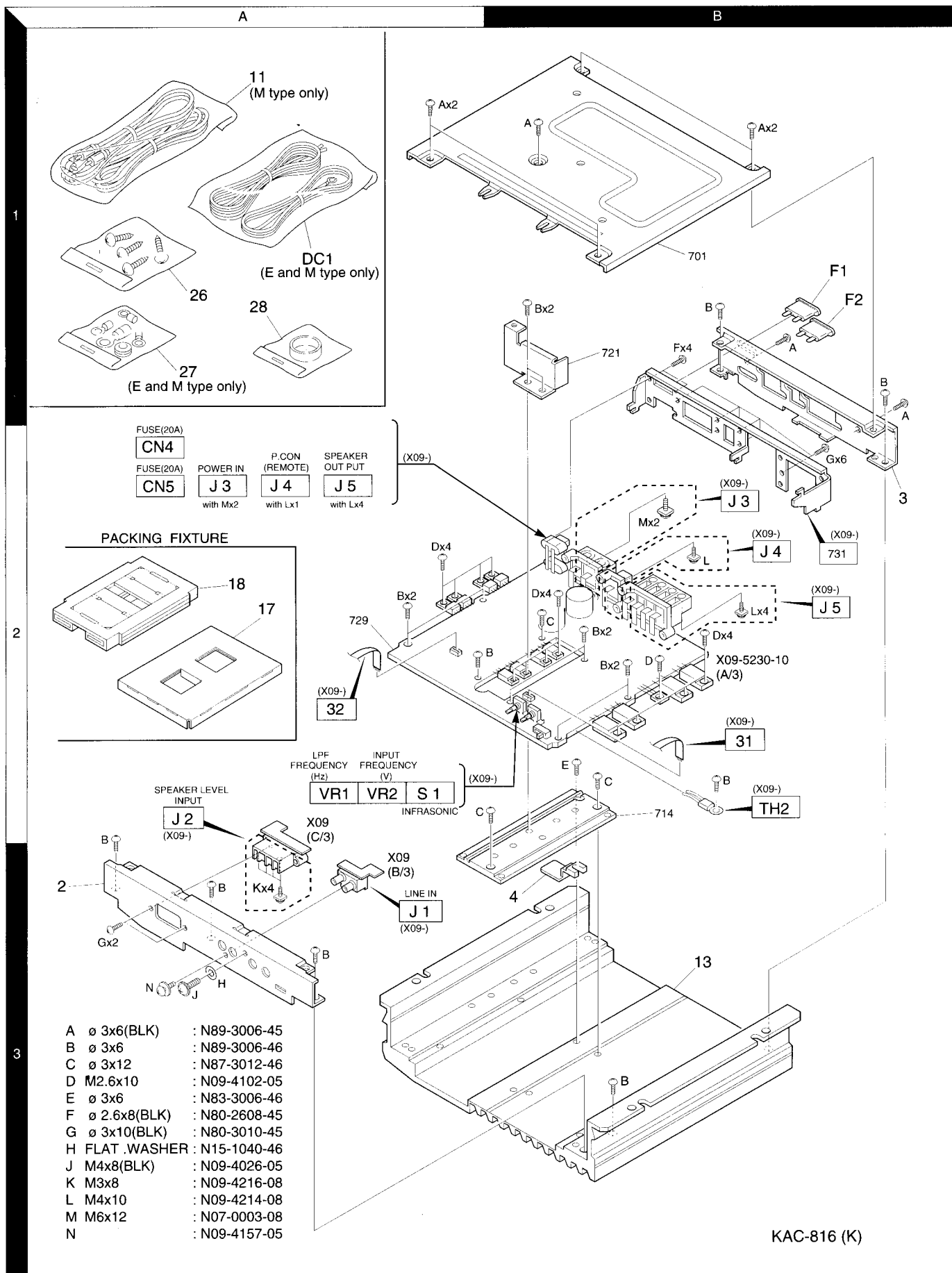


KAC-816(K)

KAC-816
KENWOOD

KAC-816

EXPLODED VIEW



PARTS LIST

*New Parts

Parts without Part No. are not supplied.

Les articles non mentionnés dans le Parts No. ne sont pas fournis.

Teile ohne Parts No. werden nicht geliefert.

Ref. No.	A d w	Parts No.	Description	Desti- nation
KAC-816				
2	3A	* A64-1305-02	FRONT PANEL	
3	2B	* A84-0149-02	REAR PANEL	
4	3B	B19-1060-03	LIGHTING BOARD	
-		B46-0100-50	WARRANTY CARD	
-		* B64-1169-00	INST.MANUAL (ENG,FRE,SPA)	K
-		* B64-1170-00	INST.MANUAL (ENG,FRE,GER,DUT)	E
-		* B64-1170-00	INST.MANUAL (ITA,SPA,POR)	E
-		* B64-1171-00	INST.MANUAL (ENG,FRE,SPA)	M
11	1A	E30-4067-05	AUDIO CORD ASSY	M
△ DC1	1A	E30-4323-15	DC CORD ASSY (C.C.)	EM
13	3B	* F01-1545-01	HEAT SINK (TOP COVER)	
F1 ,2	1B	F05-2038-05	FUSE (20A, BLADE TYPE)	
17	2A	* H12-2628-04	PACKING FIXTURE	
18	2A	* H12-2629-03	PACKING FIXTURE	
-		* H10-4591-04	POLYSTYRENE FOAMED FIXTURE	
-		H25-0321-04	PROTECTION BAG (600X315X0.03)	
-		H25-0336-04	PROTECTION BAG (170X250X0.03)	
-		* H54-1081-03	ITEM CARTON CASE	
26	1A	N99-1587-05	SCREW SET	
A	1B	N89-3006-45	BINDING HEAD TAPTITE SCREW	
B	1B	N89-3006-46	BINDING HEAD TAPTITE SCREW	
C	2B	N87-3012-46	BRAZIER HEAD TAPTITE SCREW	
D	2A	N09-4102-05	SEMS (MACHINE SCREW)(M2.6X10)	
E	2B	N83-3006-46	PAN HEAD TAPTITE SCREW	
G	3A	N80-3010-45	PAN HEAD TAPTITE SCREW	
H	3A	N15-1040-46	FLAT WASHER	
J	3A	N09-4026-05	TAPPING SCREW (4X8,TP,S)	
N	3A	N09-4157-05	SEMS (TAPTITE SCREW)	
△ 27	1A	W01-0746-05	ROUND TERMINAL SET (C.C.)	EM
28	1A	W01-0747-05	TERMINAL COVER ASSY	
AUDIO UNIT (X09-5230-10)				
D100		B30-1460-05	LED(RED)	
C1 ,2		CK45FB1H102K	CERAMIC 1000PF K	
C3 ,4		CE04DW1V100M	ELECTRO 10UF 35WV	
C5		CC45FSL1H101J	CERAMIC 100PF J	
C6		CC45FCH1H220J	CERAMIC 22PF J	
C7 -10		CE04DW1H2R2M	ELECTRO 2.2UF 50WV	
C11		CF92FV1H102J	MF-C 1000PF J	
C12		CC45FCH1H220J	CERAMIC 22PF J	
C13		CE04DW1V100M	ELECTRO 10UF 35WV	
C14		CF92FV1H104J	MF-C 0.10UF J	
C15		CF92FV1H154J	MF-C 0.15UF J	
C16		CF92FV1H223J	MF-C 0.022UF J	
C17		CF92FV1H104J	MF-C 0.10UF J	
C18		CF92FV1H154J	MF-C 0.15UF J	
C19		CF92FV1H333J	MF-C 0.033UF J	
C20		CE04DW1V100M	ELECTRO 10UF 35WV	
C21 -24		CE04DW1H010M	ELECTRO 1.0UF 50WV	
C25		CE04DW1V100M	ELECTRO 10UF 35WV	

Ref. No.	A d w	Parts No.	Description	Desti- nation
(X09-5230-10)				
C81 ,82		CE04DW1V100M	ELECTRO 10UF 35WV	
C101		CE04DW1V100M	ELECTRO 10UF 35WV	
C102		CK45FB1H102K	CERAMIC 1000PF K	
C103		CF92FV1H223J	MF-C 0.022UF J	
C104		CF92FV1H102J	MF-C 1000PF J	
C105		CE04DW1V100M	ELECTRO 10UF 35WV	
C106		* CC45FCH2H221J	CERAMIC 220PF J	
C108		* CC45FCH2H470J	CERAMIC 47PF J	
C111		* CC45FCH2H151J	CERAMIC 150PF J	
C113		* CC45FCH2H151J	CERAMIC 150PF J	
C115		CC45FCH1H010C	CERAMIC 1.0PF C	
C116		CE04DW1E470M	ELECTRO 47UF 25WV	
C117		CC45FCH1H080D	CERAMIC 8.0PF D	
C118		CF92FV1H102J	MF-C 1000PF J	
C119		CC45FSL1H331J	CERAMIC 330PF J	
C120-123		CF92FV1H473J	MF-C 0.047UF J	
C124		CF92FV1H472J	MF-C 4700PF J	
C125		C90-1630-05	NP-ELEC 1000UF 16WV	
C126,127		CF92FV1H334J	MF-C 0.33UF J	
C128		CF92FV1H222J	MF-C 2200PF J	
C153,154		* C90-2952-05	ELECTRO 3900UF 63WV	
C155,156		CF92FV1H222J	MF-C 2200PF J	
C159,160		CF92FV1H472J	MF-C 4700PF J	
C161,162		C90-2921-05	ELECTRO 3900UF 16WV	
C163		CE04DW1V100M	ELECTRO 10UF 35WV	
C164		CF92FV1H102J	MF-C 1000PF J	
C165		CE04DW1E470M	ELECTRO 47UF 25WV	
C166		CE04DW1V100M	ELECTRO 10UF 35WV	
C181-184		CE04DW1E470M	ELECTRO 47UF 25WV	
C185		CE04DW2A221M	ELECTRO 220UF 100WV	
C186		* CE04DW1J470M	ELECTRO 47UF 63WV	
C201		CF92FV1H102J	MF-C 1000PF J	
C202		CE04DW1H4R7M	ELECTRO 4.7UF 50WV	
C203,204		CF92FV1H102J	MF-C 1000PF J	
C205,206		CE04DW1H010M	ELECTRO 1.0UF 50WV	
C207		CE04DW1V100M	ELECTRO 10UF 35WV	
C208		CE04DW1A101M	ELECTRO 100UF 10WV	
C209		CE04DW1H010M	ELECTRO 1.0UF 50WV	
C210		CF92FV1H102J	MF-C 1000PF J	
31 ,32	2A	E31-8122-05	LEAD WIRE (FLAT CABLE)	
CN1 ,2		E40-9472-05	FLAT CABLE CONNECTOR	
CN3		E40-3640-05	PIN ASSY	
J1	3A	E63-0834-05	PHONO JACK	
J2	2A	E70-0822-05	SCREW TERMINAL BOARD	
△ J3	2A	E70-0820-05	SCREW TERMINAL BOARD (C.C.)	
J4	2A	E70-0818-05	SCREW TERMINAL BOARD	
J5	2A	E70-0808-05	SCREW TERMINAL BOARD	
△ CN4	2A	J13-0601-05	FUSE HOLDER (C.C.)	
CN5	2A	J13-0603-05	FUSE HOLDER	
L1		L33-1015-05	CHOKE COIL	
L3 ,4	*	L19-0566-05	DC/DC CONVERTER	
F	1B	N80-2608-45	PAN HEAD TAPTITE SCREW	
G	2B	N80-3010-45	PAN HEAD TAPTITE SCREW	

E : Europe K : North America M : Other Areas
W : Without Europe

△ indicates safety critical components.

PARTS LIST

*New Parts

Parts without **Part No.** are not supplied.

Les articles non mentionnés dans le **Part No.** ne sont pas fournis.


Teile ohne **Part No.** werden nicht geliefert.

(X09-5230-10)

Ref. No.	A d d	N e w	Parts No.	Description	Desti- nation
K	3A		N09-4216-08	SEMS (3X8)	
L	2B		N09-4214-08	SEMS (4X10)	
M	2B		N07-0003-08	SEMS (6X12)	
R1	.2		RD14BB2C102J	RD 1.0K J	1/6W
R3	.4		RD14BB2C103J	RD 10K J	1/6W
R5	.6		RD14BB2C273J	RD 27K J	1/6W
R7			RD14BB2C153J	RD 15K J	1/6W
R8	.9		RD14BB2C103J	RD 10K J	1/6W
R10			RD14BB2C102J	RD 1.0K J	1/6W
R11	.12		RD14BB2C222J	RD 2.2K J	1/6W
R13	.14		RD14BB2C151J	RD 150 J	1/6W
R15			RD14BB2C510J	RD 51 J	1/6W
R16			RD14BB2C622J	RD 6.2K J	1/6W
R17	-20		RD14BB2C363J	RD 36K J	1/6W
R21	-24		RS14KB3D560J	FL-PROOF RS 56 J	2W
R25	.26		RD14BB2C222J	RD 2.2K J	1/6W
R27	.28		RD14BB2C303J	RD 30K J	1/6W
R29			RD14BB2C100J	RD 10 J	1/6W
R30			RD14BB2C103J	RD 10K J	1/6W
R31			RD14BB2C752J	RD 7.5K J	1/6W
R32			RD14BB2C332J	RD 3.3K J	1/6W
R33			RD14BB2C222J	RD 2.2K J	1/6W
R34			RD14BB2C473J	RD 47K J	1/6W
R35			RD14BB2C153J	RD 15K J	1/6W
R36			RD14BB2C752J	RD 7.5K J	1/6W
R37			RD14BB2C103J	RD 10K J	1/6W
R38			RD14BB2C222J	RD 2.2K J	1/6W
R39			RD14BB2C224J	RD 220K J	1/6W
R40			RD14BB2C123J	RD 12K J	1/6W
R41			RD14BB2C100J	RD 10 J	1/6W
R42			RD14BB2C104J	RD 100K J	1/6W
R43			RD14BB2C512J	RD 5.1K J	1/6W
R45			RD14BB2C133J	RD 13K J	1/6W
R46			RD14BB2C273J	RD 27K J	1/6W
R47			RD14BB2C203J	RD 20K J	1/6W
R48			RD14BB2C472J	RD 4.7K J	1/6W
R49			RD14BB2C912J	RD 9.1K J	1/6W
R50			RD14BB2C133J	RD 13K J	1/6W
R51			RD14BB2C100J	RD 10 J	1/6W
R52			RD14BB2C104J	RD 100K J	1/6W
R81	.82		RD14DB2H151J	SMALL-RD 150 J	1/2W
R83	-90		RD14BB2E103J	RD 10K J	1/4W
R100			RD14DB2H100J	SMALL-RD 10 J	1/2W
R101			RD14BB2C222J	RD 2.2K J	1/6W
R102			RD14BB2C203J	RD 20K J	1/6W
R103			RD14BB2C473J	RD 47K J	1/6W
R104	.105		RD14BB2C472J	RD 4.7K J	1/6W
R106			RD14BB2C101J	RD 100 J	1/6W
R107			RD14BB2C154J	RD 150K J	1/6W
R108			RD14BB2C473J	RD 47K J	1/6W
R109			RD14BB2C302J	RD 3.0K J	1/6W
R110			RD14BB2C221J	RD 220 J	1/6W
R111			RD14BB2C203J	RD 20K J	1/6W
R112			RD14BB2C152J	RD 1.5K J	1/6W

Ref. No.	A d d	N e w	Parts No.	Description	Desti- nation
R113,114			RD14BB2C330J	RD 33 J	1/6W
R115,116			RD14BB2C102J	RD 1.0K J	1/6W
R117			RD14BB2C302J	RD 3.0K J	1/6W
R118,119			RD14BB2C101J	RD 100 J	1/6W
R120			RD14BB2C222J	RD 2.2K J	1/6W
R121			RD14BB2C820J	RD 82 J	1/6W
R122			RD14BB2C473J	RD 47K J	1/6W
R124			RD14BB2C162J	RD 1.6K J	1/6W
R125			RD14BB2C511J	RD 510 J	1/6W
R126-128			RD14DB2H471J	SMALL-RD 470 J	1/2W
R129,130			RD14BB2E103J	RD 10K J	1/4W
R131,132			RD14BB2C101J	RD 100 J	1/6W
R133,134			RD14BB2E101J	RD 100 J	1/4W
R135-138			RD14BB2C2R2J	RD 2.2 J	1/6W
R139-142			R92-0205-05	METAL-PLATE 0.1 K	2W
R143,144			RD14DB2H100J	SMALL-RD 10 J	1/2W
R145			RD14DB2H471J	SMALL-RD 470 J	1/2W
R146			RD14GB2E270J	FL-PROOF RD 27 J	1/4W
R147,148			RD14DB2H100J	SMALL-RD 10 J	1/2W
R151,152			RD14DB2H100J	SMALL-RD 10 J	1/2W
R155,156			RD14DB2H100J	SMALL-RD 10 J	1/2W
R157,158			RD14BB2C472J	RD 4.7K J	1/6W
R159,160			RD14BB2C150J	RD 15 J	1/6W
R161,162			RD14BB2C221J	RD 220 J	1/6W
R163,164			RD14BB2C152J	RD 1.5K J	1/6W
R165			RD14BB2C103J	RD 10K J	1/6W
R166			RD14BB2C471J	RD 470 J	1/6W
R167			RD14BB2C163J	RD 16K J	1/6W
R168-170			RD14BB2C332J	RD 3.3K J	1/6W
R171			RD14BB2C203J	RD 20K J	1/6W
R172			RD14BB2C622J	RD 6.2K J	1/6W
R173			RD14BB2C103J	RD 10K J	1/6W
R174			RD14BB2E103J	RD 10K J	1/4W
R175-178			RD14BB2C100J	RD 10 J	1/6W
R179,180			RD14BB2E103J	RD 10K J	1/4W
R181-184			RS14KB3A152J	FL-PROOF RS 1.5K J	1W
R185,186			RD14BB2C103J	RD 10K J	1/6W
R187-190			RD14BB2C100J	RD 10 J	1/6W
R191			RS14KB3D100J	FL-PROOF RS 10 J	2W
R192-200			RD14BB2E103J	RD 10K J	1/4W
R201			RD14BB2C102J	RD 1.0K J	1/6W
R202			RD14BB2C302J	RD 3.0K J	1/6W
R203			RD14BB2C102J	RD 1.0K J	1/6W
R204			RD14BB2C103J	RD 10K J	1/6W
R205			RD14BB2C333J	RD 33K J	1/6W
R206			RD14BB2C334J	RD 330K J	1/6W
R207,208			RD14BB2C433J	RD 43K J	1/6W
R209,210			RD14BB2C302J	RD 3.0K J	1/6W
R211,212			RD14BB2C203J	RD 20K J	1/6W
R213,214			RD14BB2C104J	RD 100K J	1/6W
R215			RD14BB2C103J	RD 10K J	1/6W
R216			RD14BB2C473J	RD 47K J	1/6W
R217			RD14BB2C203J	RD 20K J	1/6W
R218			RD14BB2C104J	RD 100K J	1/6W
R219			RD14BB2C154J	RD 150K J	1/6W

E : Europe K : North America M : Other Areas
W : Without Europe

 indicates safety critical components.

PARTS LIST

*New Parts

Parts without **Part No.** are not supplied.

Les articles non mentionnés dans le **Parts No.** ne sont pas fournis.


Teile ohne **Parts No.** werden nicht geliefert.

(X09-5230-10)

Ref. No.	A d d w	N e w	Parts No.	Description	Desti- nation
R220			RD14BB2C103J	RD 10K J 1/6W	
R221			RD14BB2C104J	RD 100K J 1/6W	
R222			RD14BB2C330J	RD 33 J 1/6W	
R223			RD14BB2C184J	RD 180K J 1/6W	
R224			RD14BB2C163J	RD 16K J 1/6W	
R225			RD14BB2C103J	RD 10K J 1/6W	
R226-228			RD14BB2C473J	RD 47K J 1/6W	
R229			RD14BB2C102J	RD 1.0K J 1/6W	
R230			RD14BB2C332J	RD 3.3K J 1/6W	
R231			RD14BB2C244J	RD 240K J 1/6W	
R232			RD14BB2C473J	RD 47K J 1/6W	
R233-235			RD14BB2C103J	RD 10K J 1/6W	
R236,237			RD14BB2C104J	RD 100K J 1/6W	
R238			RD14DB2H102J	SMALL-RD 1.0K J 1/2W	
R239			RD14BB2C104J	RD 100K J 1/6W	
R240			RD14BB2C101J	RD 100 J 1/6W	
R241-244			RS14KB3D561J	FL-PROOF RS 560 J 2W	
R245,246			RD14BB2C104J	RD 100K J 1/6W	
R255-260			RD14BB2E103J	RD 10K J 1/4W	
VR1	2A		R31-0209-05	VARIABLE RESISTOR 5K(A)	
VR2	2A		R31-0215-05	VARIABLE RESISTOR 50K(C)	
VR3		*	R32-0030-05	SEMI FIXED VARIABLE RESISTOR	
K1 ,2			S76-0804-05	MAGNETIC RELAY	
S1	2A	*	S62-0859-05	SLIDE SWITCH	
D1 -4			1SS133	DIODE	
D81 ,82			RD16JS(B2)	ZENER DIODE	
D101-103			1SS133	DIODE	
D151,152		*	FML22S*A	DIODE	
D153,154		*	FML22R*A	DIODE	
D163,164			1SS133	DIODE	
D165			1N5406-M	DIODE	
D166			RD7.5JS(B)	ZENER DIODE	
D167			RD16JS(B2)	ZENER DIODE	
D168,169			1SS133	DIODE	
D181,182			RD20JS(B)	ZENER DIODE	
D201-221			1SS133	DIODE	
IC1			NJM5532D	IC(OP AMP X2)	
IC2 ,3			NJM4565D	ANALOGUE IC	
IC4			UPC1237HA	IC(POWER AMP)	
IC5			UPC494C	IC(SWITCHING REGULATOR)	
Q101-104			2SC945(A)(Q,P)	TRANSISTOR	
Q105,106			2SA1123(Q,R)	TRANSISTOR	
Q107,108			2SC2631(Q,R)	TRANSISTOR	
Q109			2SA1123(Q,R)	TRANSISTOR	
Q110			2SC2631(Q,R)	TRANSISTOR	
Q111			2SC945(A)(Q,P)	TRANSISTOR	
Q112,113			2SC2590(Q,R)	TRANSISTOR	
Q114			2SA1110	TRANSISTOR	
Q115			2SC4388LB*5	TRANSISTOR	
Q116			2SA1673LB*5	TRANSISTOR	
Q117			2SC4388LB*5	TRANSISTOR	
Q118			2SA1673LB*5	TRANSISTOR	
Q119			2SC2590(Q,R)	TRANSISTOR	
Q120			2SA1110	TRANSISTOR	

Ref. No.	A d d w	N e w	Parts No.	Description	Desti- nation
Q151-154			MTAJ50N05HDLFK	FET	
Q155,156			2SC945(A)(Q,P)	TRANSISTOR	
Q157,158			2SA733(A)(Q,P)	TRANSISTOR	
Q159,160			2SC945(A)(Q,P)	TRANSISTOR	
Q161			2SA817A	TRANSISTOR	
Q181			2SC1627A	TRANSISTOR	
Q182			2SA817A	TRANSISTOR	
Q183			2SC1627A	TRANSISTOR	
Q184			2SA817A	TRANSISTOR	
Q201			2SC1845(F,E)	TRANSISTOR	
Q202			2SA733(A)(Q,P)	TRANSISTOR	
Q203,204			2SC1845(F,E)	TRANSISTOR	
Q205			2SA1123(Q,R)	TRANSISTOR	
Q206			2SA992(F,E)	TRANSISTOR	
Q207			2SA733(A)(Q,P)	TRANSISTOR	
Q208-211			2SC945(A)(Q,P)	TRANSISTOR	
Q212			2SA733(A)(Q,P)	TRANSISTOR	
Q213			DTA124ESA	DIGITAL TRANSISTOR	
Q220			2SC945(A)(Q,P)	TRANSISTOR	
TH1			PTH59F04BD222T	POSITIVE RESISTOR	
TH2	2B		PTH9M04BD222T	POSITIVE RESISTOR	

E : Europe K : North America M : Other Areas
W : Without Europe

 indicates safety critical components.

KAC-816

SPECIFICATIONS

Specifications subject to change without notice.

Audio Section

Max Power Output (2 Ω).....	400 W x 1
Rated Power Output (4 Ω)	
(4 Ω).....	200 W x 1 (50 Hz ~ 200 Hz, 0.08 % THD)
(2 Ω).....	300 W x 1 (100 Hz, 0.8 % THD)
Frequency Response (+0, -1 dB).....	5 Hz ~ 200 Hz
Total Harmonic Distortion (Rated power)*.....	0.01 % (100 Hz)
Sensitivity (MAX) (rated output).....	0.2 V
Sensitivity (MIN) (rated output).....	5.0 V
Signal to Noise Ratio.....	100 dB
Input impedance.....	10 kΩ
Damping Factor.....	More than 9900 (at Σ connect)
Low Pass Filter Frequency (24 dB/oct.).....	50 ~ 200 Hz (variable)
Infrasonic Filter Frequency (24 dB/oct.).....	15 / 25 Hz

*Sensitivity = Mini. , Through LPF (30 kHz)

General

Operating Voltage.....	14.4 V (11 ~ 16 V allowable)
Current Consumption (4 Ω, 14.4 V, 10% THD).....	28 A
Dimensions (W x H x D).....	290 x 52 x 250 mm
	11-7 / 16 x 2-1 / 16 x 9-13 / 16 inch
Weight.....	3.1 kg (6.8 lbs)

KENWOOD follows a policy of continuous advancements in development.
For this reason specifications may be changed without notice.

Note:

Component and circuitry are subject to modification to insure best operation under differing local conditions. This manual is based on Europe (E) standard, and provides information on regional circuit modification through use of alternate schematic diagrams, and information on regional component variations through use of parts list.

KENWOOD CORPORATION

14-6, Dogenzaka 1-chome, Shibuya-ku, Tokyo, 150 Japan

KENWOOD SERVICE CORPORATION

P.O. Box 22745, 2201 East Dominguez Street,
Long Beach, CA90801-5745, U.S.A.

KENWOOD ELECTRONICS CANADA INC.

6070 Kestrel Road, Mississauga, Ontario, Canada L5T 1S8

KENWOOD ELECTRONICS LATIN AMERICA S.A.

P.O. Box 55-2791, Piso 6, Plaza Chase, Cl. 47 y,
Aquilino de la Guardia, Panama, Republic of Panama

KENWOOD ELECTRONICS BRASIL LTDA.

Avenida Indianópolis, 628, 04062-001 Planalto Paulista,
São Paulo-SP-Brasil

KENWOOD ELECTRONICS UK LIMITED

Kenwood House, Dwright Road, Watford,
Herts, WD1 8EB, United Kingdom

KENWOOD ELECTRONICS DEUTSCHLAND GMBH

Rembrücker Str. 15, 63150 Heusenstamm, Germany

KENWOOD ELECTRONICS FRANCE S.A.

13, Boulevard Ney, 75018 Paris, France

KENWOOD ELECTRONICS BELGIUM N.V.

Mechelsesteenweg 418, B-1930 Zaventem, Belgium

KENWOOD ELECTRONICS ITALIA S.p.A.

Via G. Sirtori 7/9, 20129 Milano, Italy

KENWOOD IBÉRICA S.A.

Bolivia, 239-08020 Barcelona, Spain

KENWOOD ELECTRONICS AUSTRALIA PTY. LTD.

(A.C.N. 001 499 074)
8 Figtree Drive, Australia Centre, Homebush, N.S.W. 2140, Australia

KENWOOD & LEE ELECTRONICS LTD.

Unit 3712-3724, Level 37, Tower 1, Metroplaza,
223 Hing Fong Road, Kwai Fong, N.T., Hong Kong

KENWOOD ELECTRONICS GULF FZE

P.O.Box 61318, Jebel Ali, Dubai, U.A.E.

KENWOOD ELECTRONICS (THAILAND) CO., LTD.

573/111 Soi Ramkhamhaeng 39, Ramkhamhaeng Road,
Wangthonglang, Bangkok, 10310 Thailand

KENWOOD ELECTRONICS SINGAPORE PTE LTD.

1 Genting Lane, #07-00, Kenwood Building, Singapore 349544

KENWOOD ELECTRONICS (MALAYSIA) SDN BHD

#4.01 Level 4, Wisma Academy, Lot 4A, Jalan 19/1,
46300 Petaling Jaya, Selangor, Malaysia